



ADVANCED PHOTONICS

SUPREME-GRADE THERMAL SCOPE TWS-6050-MOD

The TWS name has been long known for the most robust, reliable and technologically-advanced thermal weapon sights available on the professional market. Evolution never stops and time has come to introduce the latest incarnation of this truly legendary system: the TWS-6000™-MOD Series, the most technologically-advanced professional thermal sights yet.

The latest generation silent and Auto-NUC sensor is at the base of the TWS-6050-MOD. GSCI proprietary hardware and software solutions are built around the sensor and offer exceptional image quality along with unique tools for added tactical advantage and user safety. The TWS-6050-MOD is fully dust- and waterproof, meets and exceeds modern standards. It is a perfect tool for long-term, intensive use in any environment, in any lighting or weather conditions.

HIGH PERFORMANCE CORE

Shutterless FPA with Auto-NUC technology guarantees a silent, reliable, and most importantly uninterrupted operation of the device.

All TWS models are equipped with 640x480 cores 17 microns and 50 Hz refresh rate.

<i>PERFORMANCE CAPABILITIES: Human (1.7x0.5m)</i>	
Detection: Human (1.7x0.5m)	1660m
Recognition: Human (1.7x0.5m)	625m
Identification: Human (1.7x0.5m)	330m

<i>PERFORMANCE CAPABILITIES: Vehicle (2.3x2.3m)</i>	
Detection: NATO Target (2.3x2.3m)	2250m
Recognition: NATO Target (2.3x2.3m)	845m
Identification: NATO Target (2.3x2.3m)	450m

ADVANTAGES OF TWS-6050-MOD

Ergonomic Full-Size Keypad, User-Friendly Interface

High-Performance, Auto-NUC, Shutterless, Silent FPA, <40mk

Built-In GPS Module (Optional)

Distortion-Free, Comfortable, Long Eye-Relief Eyepiece And A Full-Size Color AMOLED Display For Precise Aiming And Shooting.

Battery Compartment with "Quick Swap" Battery Holders Up To 13 Hours Battery Life

Canadian-Made, Non-ITAR System

All-Aluminum Rugged Housing

Smooth And Precise Focus Adjustment

Multi-Use Picatinny Side Mounting Bracket Can Be Replaced With The GPS Module

Fast Germanium Glass Objective Lens

Variety Of Rifle Mounts Available



Designed, Developed, Manufactured by GSCI Advanced Photonics
120 WHITMORE ROAD, UNIT 20, WOODBRIDGE, ONTARIO, L4L6A5, CANADA
WWW.GSCI.NET | GSCI@GSCI.NET | +1.905.850.0990

DISCLAIMER: Technical description, certain optical-electronic-mechanical features of the product shown herein and/or some of its parts/components may not precisely represent the actual device and are subject to change without prior notice by the sole discretion of General Starlight Co., Inc. Mass of the product represents measurable weight of all components this product consists of, such as optics, mechanics, and electronics. Dimensions of the product represents measurable size of the body, including all optical components attached and in fully folded position. Dimensions of additions such as mounting brackets, eyecups, objective lens covers, and/or battery extensions may vary and therefore are not listed herein. Copyright © 1992-2024 General Starlight Co., Inc. Canada. All rights reserved.



ADVANCED PHOTONICS

SUPREME-GRADE THERMAL SCOPE TWS-6050-MOD

TECHNICAL SPECIFICATIONS

MAIN OPTICAL PARAMETERS

Optical Magnification	2X
Objective Lens System	50mm
Field of View	12.4°x9.3°
Focusing Range	1.5m .. Infinity
Diopter Adjustment Range	-6 .. +4
Eye relief	Min. 50mm

THERMAL SENSOR & ELECTRONICS

FPA Type	Uncooled, a-Si, Shutterless, Silent, Auto-NUC (Uninterrupted Operation)
FPA Resolution and Pitch	640x480, 17µm
FPA Sensitivity (NETD)	<40mK
FPA Refresh Rate	50Hz
Digital Zoom	1X, 2X, 4X, 8X
Internal Display	Full Size: 0.6-Inch Diagonal, AMOLED, Colour, 800x600
Imaging Modes	Monochrome (White-Hot / Black-Hot) and Multiple Colour Palettes

ENHANCED VISION & TACTICAL FEATURES

Digital Passive Stadiametric Rangefinder (SRF)	Yes
Digital Detail Enhancement Feature (DDE)	Yes
Wide Dynamic Range Feature (WDR)	Yes
Stow Safety Feature (SSF)	Yes
Shot-Initiated FOV Feature (SIF)	Built-In Adjustable Shock Sensor
Integrated 9-Axis Absolute Orientation HUD (Heads-Up Display)	Yes: 3-Axis Sensors - Magnetometer, Accelerometer and Gyroscope
Integrated Compass	Yes
Pitch / Roll / Azimuth Indications	Yes
Digital Video Recorder with Real-Time Stamp	Yes
GPS Module	Optional

USER CONVENIENCE FEATURES

User Profiles (Configurable)	Yes: 8
Electronic Reticles	8+8 Patterns with Easy Zeroing and Calibration
Dynamic Reticle Polarity Switch	Yes
Real-Time Date-Time Stamp	Yes: Simplified, Extended, DTG Formats
Automatic/Manual Pixel Masking	Yes
Automatic Power Down Control	User-Configurable: 10 .. 60 minutes of inactivity

POWERING OPTIONS & CONSUMPTION

Accepted Batteries	4 (Four) AA Alkaline / Lithium / Rechargeable
Universal Port	Video-Out, Remote Control and External Power (4VDC .. 15VDC)
Battery Life on 4x AA Lithium	Up to 13 Hours

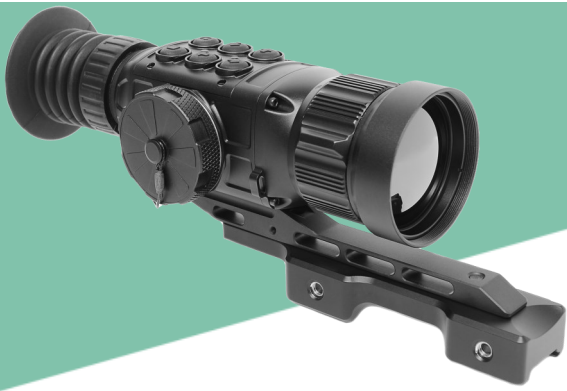
MECHANICAL & ENVIRONMENTAL PARAMETERS

Dimensions	180x75x62mm
Weight	555 grams
Environmental Protection	Fully Waterproof, IP67, Nitrogen-Purged
Operating Temperature	-40°C .. +50°C

WARRANTY & EXPORT INFORMATION

Warranty	7 Years, Limited
Made In Canada	ITAR-Free

DISCLAIMER: Technical description, certain optical-electronic-mechanical features of the product shown herein and/or some of its parts/components may not precisely represent the actual device and are subject to change without prior notice by the sole discretion of General Starlight Co., Inc. Mass of the product represents measurable weight of all components this product consists of, such as optics, mechanics, and electronics. Dimensions of the product represents measurable size of the body, including all optical components attached and in fully folded position. Dimensions of additions such as mounting brackets, eyecups, objective lens covers, and/or battery extensions may vary and therefore are not listed herein. Copyright © 1992-2024 General Starlight Co., Inc. Canada. All rights reserved.



ADVANCED PHOTONICS

SUPREME-GRADE THERMAL SCOPE TWS-6050-MOD

STANDARD EQUIPMENT: WHAT'S IN THE BOX

1	Thermal Imaging Sight
2	Long Eyereief Rubber Eyecup (<i>Attached</i>)
3	Front Lens Protective Cover (<i>Attached</i>)
4	Heavy-Duty Rifle Mount MAK-PICATINNY (<i>Adapter included, Allen Key Included</i>)
5	Demist Shield
6	4-AA Quick-Swap Battery Cartridges (<i>4pcs</i>)
7	Built-In Digital Video Recorder GS-DVR-INT (<i>Comes with 32GB microSD card and SD adapter</i>)
8	Integrated 9-Axis Absolute Orientation HUD (Heads-Up Display), 3-Axis Sensors for Compass Reading, Inclinometer/ Pitch Reading, and Level/Roll Reading
9	USB Power Cable
10	Video-Out Cable
11	Soft Carrying Pouch
12	User Manual
13	Quick Reference Card
14	Waterproof Hard Carrying Case
15	Cleaning Kit (<i>3-in-1 Multi-Pen + Cleaning Cloth</i>)

* Batteries not included

OPTIONAL EQUIPMENT

A	GPS Module (<i>Replaces side rail</i>)
B	Universal Remote Control Unit TRC-120 (<i>Comes with connection cable</i>)
C	Universal Multi-Voltage Battery Pack MVP-240™ (<i>Comes with connection cable</i>)
D	Advanced Multi-Functional Laser Rangefinder Unit QRF-4500™ with MIL-STD 1550nm wavelength
E	External Digital Video Recorder GS-EDVR (<i>Comes with set of cables and 32GB SD card</i>)
G	MTAR™-HUD Heads Up Display (<i>streams video directly from the unit; equipped with built-in DVR, GPS</i>)
H	HMD-800-MOD Heads Up Display (<i>streams video directly from the unit</i>)
I	Heavy-Duty Quick Release Rifle Mount MAK-QR-BLASER (<i>Blaser, Adapter included</i>)
J	Heavy-Duty Quick Release Rifle Mount MAK-QR-PICATINNY (<i>PICATINNY, Adapter included</i>)
K	Dual Lever Adjustable Rifle Mount DLM (<i>PICATINNY, with fine-tune knobs for tolerance adjustments</i>)
L	Adapter for MAK Mount: Regular Length (ADAPTER-REG) or Extended Length (ADAPTER-EXT)
M	Clip-On Adapter COA
N	Day Scope Adapter Clamp for COA for direct mounting onto daytime optics, CO-DSA (<i>various sizes available</i>)

DISCLAIMER: Technical description, certain optical-electronic-mechanical features of the product shown herein and/or some of its parts/components may not precisely represent the actual device and are subject to change without prior notice by the sole discretion of General Starlight Co., Inc. Mass of the product represents measurable weight of all components this product consists of, such as optics, mechanics, and electronics. Dimensions of the product represents measurable size of the body, including all optical components attached and in fully folded position. Dimensions of additions such as mounting brackets, eyecups, objective lens covers, and/or battery extensions may vary and therefore are not listed herein. Copyright © 1992-2024 General Starlight Co., Inc. Canada. All rights reserved.