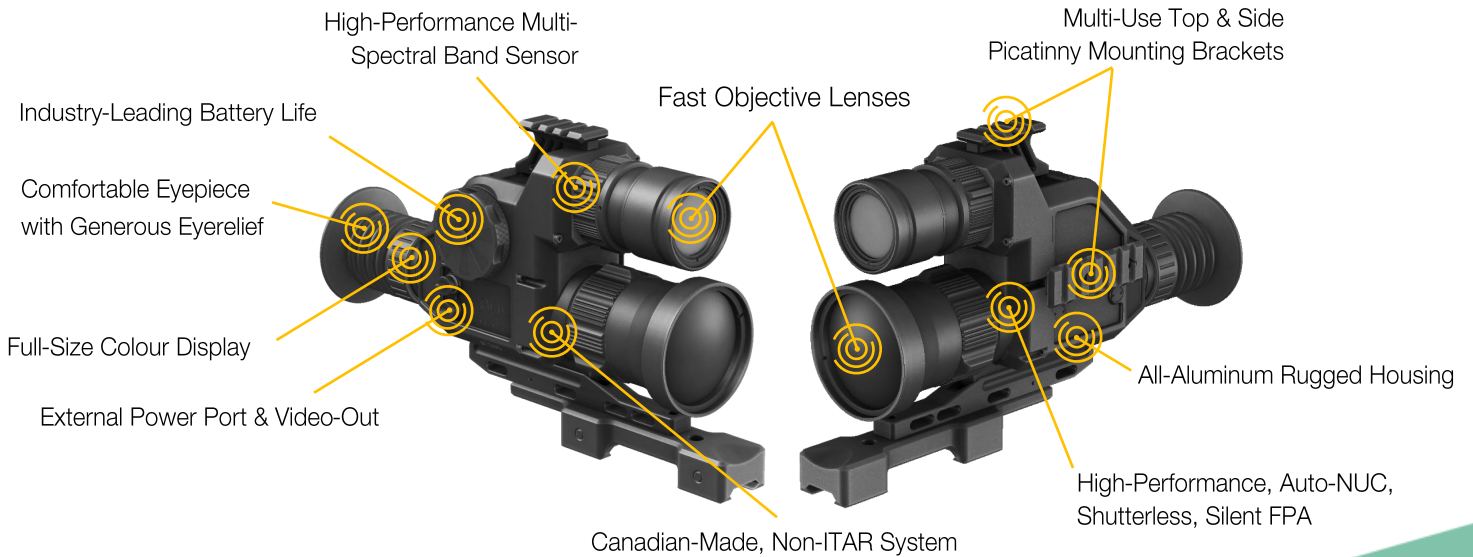


# MULTI-CHANNEL FUSION SYSTEM QUADRO-SLR™-75

The QUADRO-SLR™ is no ordinary sight. It is designed to outperform and outlast any optical-electronic scope on the market in every measurable way. This product is a result of years of research and development, collecting valuable feedback from professional end users. Powered by world-renowned, patented GSCI Fusion Technology, the QUADRO-SLR™ is a true game-changer when it comes to performance, capabilities and versatility. It boasts a whole vista of innovative features and knowhows that are soon to become the gold standard in the optical-electronic industry.

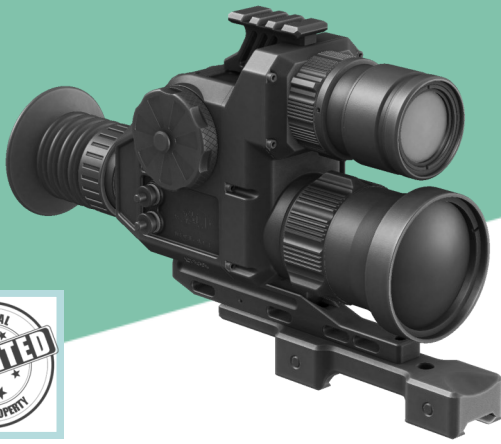
The QUADRO-SLR™ is offered with 50, 75 and 100mm interchangeable objective lenses to achieve maximum detection range. It can be deployed on multiple platforms and used in a wide variety tactical scenarios, in any environmental conditions.

## ADVANTAGES OF QUADRO-SLR™



**Designed, Developed, Manufactured by GSCI Advanced Photonics**  
120 WHITMORE ROAD, UNIT 20, WOODBRIDGE, ONTARIO, L4L6A5, CANADA  
WWW.GSCI.NET | GSCI@GSCI.NET | +1.905.850.0990

DISCLAIMER. Technical description, certain optical-electronic-mechanical features of the product shown herein and/or some of its parts/components may not precisely represent the actual device and are subject to change without prior notice by the sole discretion of General Starlight Co., Inc. Mass of the product represents measurable weight of all components this product consists of, such as optics, mechanics, and electronics. Dimensions of the product represents measurable size of the body, including all optical components attached and in fully folded position. Dimensions of additions such as mounting brackets, eyecups, objective lens covers, and/or battery extensions may vary and therefore are not listed herein. Copyright © 1992-2024 General Starlight Co., Inc. Canada. All rights reserved.



# MULTI-CHANNEL FUSION SYSTEM QUADRO-SLR™-75

## A NEW DIMENSION OF PERFORMANCE

### KEY FEATURES

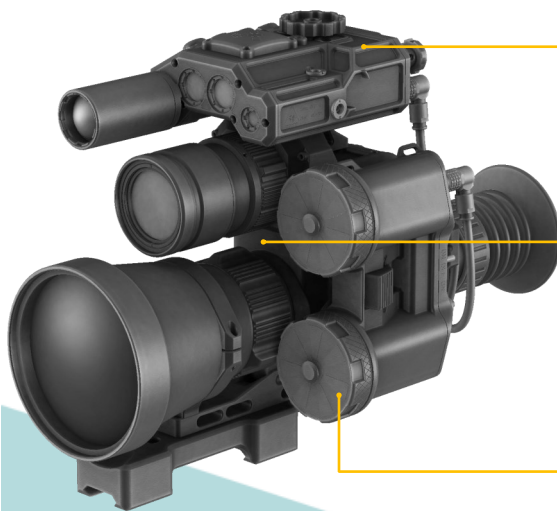
- ◆ Patented GSCI Fusion Technology
- ◆ Up to 90 Different Operation Modes
- ◆ Set of Curated Technological Features
- ◆ 100% Detection Capabilities
- ◆ Fusion-Powered Identification Capabilities
- ◆ Ultra-Long Range Performance
- ◆ Total Magnification up to 32X
- ◆ Optionally Aided by Various Target Location Features
- ◆ Outstanding Endurance and Reliability
- ◆ Latest Generation Hardware and Software
- ◆ Battle-Proven MIL-STD Enclosure
- ◆ Precision-Crafted to Tightest Tolerances

### MAIN APPLICATIONS

- ◆ Special Forces
- ◆ Law Enforcement
- ◆ Perimeter Security
- ◆ Border Patrol
- ◆ Tactical Surveillance & Reconnaissance

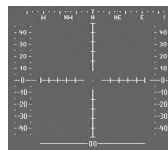


The **QUADRO-SLR™** is designed to seamlessly integrate with other GSCI-made systems: especially the Advanced Rangefinding Unit **QRF-4500™** and the Universal Battery Pack **MVP-240**. Such package represents the industry-first and unique blend for the most challenging tactical scenarios in different weather and lighting conditions.

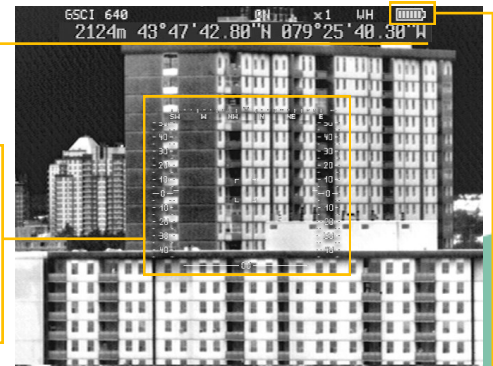


**QRF-4500™:**  
Target Position, Operator Position,  
Distance, Speed Readings

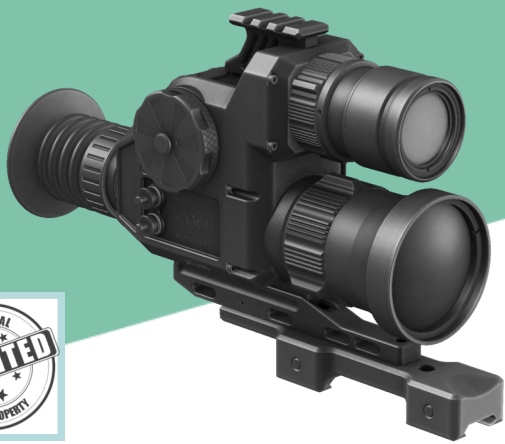
**Built-In 9-Axis HUD:**  
Dynamic Pitch, Roll  
and Yaw Readings with  
Reticle Pattern



**MVP-240™**  
Provides Power Boost for Additional  
15 Hours of Continuous Operation



DISCLAIMER: Technical description, certain optical-electronic-mechanical features of the product shown herein and/or some of its parts/components may not precisely represent the actual device and are subject to change without prior notice by the sole discretion of General Starlight Co., Inc. Mass of the product represents measurable weight of all components this product consists of, such as optics, mechanics, and electronics. Dimensions of the product represents measurable size of the body, including all optical components attached and in fully folded position. Dimensions of additions such as mounting brackets, eyecups, objective lens covers, and/or battery extensions may vary and therefore are not listed herein. Copyright © 1992-2024 General Starlight Co., Inc. Canada. All rights reserved.



ADVANCED PHOTONICS

# MULTI-CHANNEL FUSION SYSTEM QUADRO-SLR™-75



Thanks to GSCI's patented multi-sensor technology, the QUADRO-SLR™ operates in 5 primary modes: Thermal, Daytime, Nighttime and two Hybrid views, also known as the Fusion: Day-Fusion and Night-Fusion. On top of that, the QUADRO-SLR™ comes loaded with many unique features that offer convenience and help give the operator a tactical advantage.

With the QUADRO-SLR™ with the fusion mode engaged you are never left in pitch darkness. Both channels, complementing each other produce real-time, no-lag video image and unmatched situation awareness. This is achieved by combining detailed images from the visible/near infrared and long-wave infrared ranges of spectrum. The end result is a superb detection and recognition capability.

## AVAILABLE MODELS



### QUADRO-SLR™-50

50mm Objective Lens  
16X Total Magnification  
2250m Max. NATO Target Detection



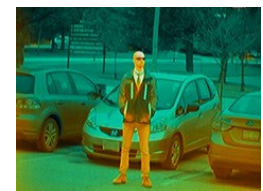
### QUADRO-SLR™-75

75mm Objective Lens  
24X Total Magnification  
3380m Max. NATO Target Detection



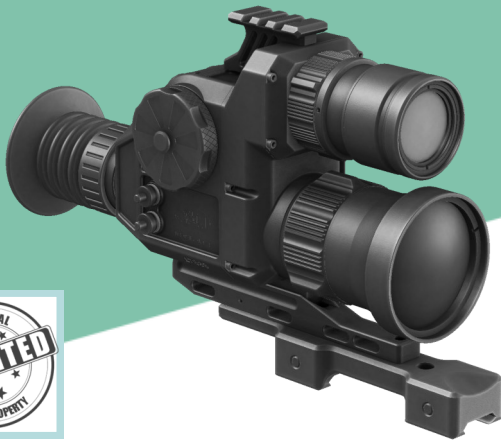
### QUADRO-SLR™-100

100mm Objective Lens  
32X Total Magnification  
4500m Max. NATO Target Detection



DISCLAIMER. Technical description, certain optical-electronic-mechanical features of the product shown herein and/or some of its parts/components may not precisely represent the actual device and are subject to change without prior notice by the sole discretion of General Starlight Co., Inc. Mass of the product represents measurable weight of all components this product consists of, such as optics, mechanics, and electronics. Dimensions of the product represents measurable size of the body, including all optical components attached and in fully folded position. Dimensions of additions such as mounting brackets, eyecups, objective lens covers, and/or battery extensions may vary and therefore are not listed herein. Copyright © 1992-2024 General Starlight Co., Inc. Canada. All rights reserved.





ADVANCED PHOTONICS

# MULTI-CHANNEL FUSION SYSTEM

## QUADRO-SLR™-75

<b>OPTICAL PARAMETERS</b>	Optical Magnification	3X
	Objective Lens System	75mm
	Field of View	8.3° x 6.2°
	Focusing Range	3m...infinity
	Eyepiece	Single
	Diopter Adjustment Range	-4 .. +6
	Eyepiece	Min. 50mm
<b>SYSTEM PARAMETERS: CAPABILITIES AND SPECIAL FEATURES</b>	Shot-Initiated FOV Feature (SIF)	Optional: Built-In Adjustable Shock Sensor
	Digital Passive Stadiametric Rangefinder (SRF)	Yes
	Digital Detail Enhancement Feature (DDE)	Yes
	Digital Edge Detection Feature (DED)	Yes
	Wide Dynamic Range Feature (WDR)	Yes
	Stow Safety Feature (SSF)	Yes
	Integrated 9-Axis Absolute Orientation HUD (Heads-Up Display)	Optional: 3-Axis Sensors - Magnetometer, Accelerometer and Gyroscope
	Integrated Compass	Optional
	Pitch / Roll / Azimuth Indications	Optional
	Power Saving Mode	Yes
	Real-Time Date-Time Stamp	Yes: Simplified, Extended, DTG Formats
	Digital Video Recorder with Real-Time Stamp	Optional: Comes with Removable 32GB microSD Card
	Electronic Reticles	Optional: 8+8 Patterns, Easy Zeroing / Calibration
	Detection Capability**:	Man (1.7x0.5m) / NATO Target (2.3x2.3m) Up to 3460m
	Hand-Held Configuration	Yes
	Conversion to Clip-On (In-Line) Sight	Optional
	Conversion to Standalone (Direct-View) Sight	Optional
	Tripod-Mountable	Yes
	User Profiles (Configurable)	Yes: 8
	Automatic/Manual Pixel Masking	Yes
	Reset to Factory Defaults	Yes
	External Video Feed Protection	Yes
	Automatic Power Down Control	User-Configurable: 10 .. 60 minutes of inactivity
<b>THERMAL (LWIR) CHANNEL</b>	FPA Type	Uncooled, a-Si, Shutterless, Silent, Auto-NUC (Uninterrupted Operation)
	FPA Resolution and Pitch	640x480, 17µm
	FPA Sensitivity (NETD)	<40mK
	FPA Refresh Rate	50Hz
	Digital Zoom	1X, 2X, 4X, 8X
	Imaging Modes	Monochrome (White-Hot / Black-Hot) and 8 Colour Palettes
<b>DAY/NIGHT (VNIR) CHANNEL</b>	Sensor Type	High-Performance CCD
	Sensor Size	1/3"
	Resolution	800x600
	Sensitivity	Up to 0.1Lux
	Night Boost Mode	Yes
	VNIR Modes	Day/Night

<b>DISPLAY</b>	Internal Display	Full Size: 0.6-Inch Diagonal, AMOLED, Colour, 800x600
	Internal Display Contrast	>10000:1
<b>IMAGE FUSION</b>	Type	Real-time, Electronic
	Fused Channels	LWIR + VNIR
	Parallax Compensation	Electronic, Adjustable
	Heat Signature Opacity Range	User Adjustable: 0% .. 100%
<b>ELECTRONICS, MECHANICAL, ENVIRONMENTAL FEATURES</b>	Accepted Batteries *	4 (Four) AA: Lithium Recommended
	Universal Port	Video-Out, Remote Control and External Power (4VDC .. 15VDC)
	Video Output Signal	CVBS 1Vpp @ 75 Ohm
	Battery Life on 4x AA	Up to 7 Hours Up to 22 Hours together with MVP-240
	Environmental Protection	Min. IP67, Nitrogen-Purged Housing
	Dimensions	130x90x210mm
	Weight	1040g
	Operating Temperature	-40°C .. +50°C
	Storage Temperature	-55°C .. +65°C
	Body Material	Hard-Anodized Aluminum
Warranty	7 Years, Limited	



Made In Canada, ITAR-Free

\* Batteries not included

\*\* Based on Johnson's Criteria



DISCLAIMER. Technical description, certain optical-electronic-mechanical features of the product shown herein and/or some of its parts/components may not precisely represent the actual device and are subject to change without prior notice by the sole discretion of General Starlight Co., Inc. Mass of the product represents measurable weight of all components this product consists of, such as optics, mechanics, and electronics. Dimensions of the product represents measurable size of the body, including all optical components attached and in fully folded position. Dimensions of additions such as mounting brackets, eyecups, objective lens covers, and/or battery extensions may vary and therefore are not listed herein. Copyright © 1992-2024 General Starlight Co., Inc. Canada. All rights reserved.