

ADVANCED PHOTONICS

FUSION CLIP-ON RIFLE SCOPE QUADRO-SC

The QUADRO-SC is the augmented vision multi-purpose clip-on rifle scope for tactical surveillance, observation as well as aiming and engagement at short- and medium-range distances.

Along with selecting between visible/near-infrared and far-infrared (thermal) channels individually, GSCI's Unique Patented technology allows to produce and display real-time, delay-free *fusion* image that superimposes all ranges of the spectrum from its sensors to successfully detect any target and defy poor lighting or weather conditions. Wide field of view allows for better situation awareness.

The unit is small and lightweight, and yet made of a hard-anodized aluminum for added strength and shock resistance.

ADVANTAGES OF QUADRO-SC

Ergonomic Full-Size Keypad,
User-Friendly Interface

Clip-On Adapter COA With
Rubber Shroud

Battery Compartment with
"Quick Swap" Battery Holders

External Power Port & Video-Out

High-Performance, Auto-
NUC, Shutterless, Silent FPA

Canadian-Made, Non-ITAR System

Multi-Use Top & Side
Picatinny Mounting Bracket



All-Aluminum Rugged
Housing

Visible/Near-Infrared
Channel

Fast Germanium Glass
Objective Lens
(Far-Infrared Channel)

KEY FEATURES

- ◆ 100% Target Detection Capability
- ◆ Multi-Mode 24/7 Operation
- ◆ Auto-NUC: No Calibration Needed
- ◆ High Situational Awareness
- ◆ ITAR-Free System

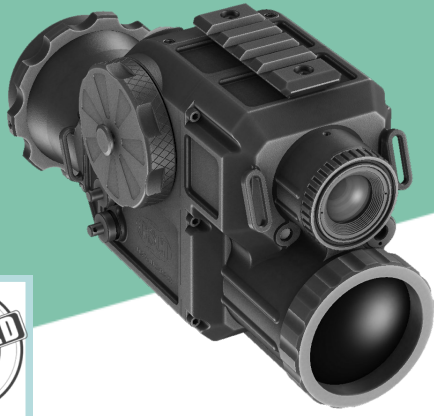
MAIN APPLICATIONS

- ◆ Special Forces
- ◆ Security & Law Enforcement
- ◆ Perimeter Security
- ◆ Border Patrol
- ◆ Tactical Surveillance & Reconnaissance



Designed, Developed, Manufactured by GSCI Advanced Photonics
120 WHITMORE ROAD, UNIT 20, WOODBRIDGE, ONTARIO, L4L6A5, CANADA
WWW.GSCI.NET | GSCI@GSCI.NET | +1.905.850.0990

DISCLAIMER. Technical description, certain optical-electronic-mechanical features of the product shown herein and/or some of its parts/components may not precisely represent the actual device and are subject to change without prior notice by the sole discretion of General Starlight Co., Inc. Mass of the product represents measurable weight of all components this product consists of, such as optics, mechanics, and electronics. Dimensions of the product represents measurable size of the body, including all optical components attached and in fully folded position. Dimensions of additions such as mounting brackets, eyecups, objective lens covers, and/or battery extensions may vary and therefore are not listed herein. Copyright © 1992-2024 General Starlight Co., Inc. Canada. All rights reserved.



ADVANCED PHOTONICS

FUSION CLIP-ON RIFLE SCOPE QUADRO-SC



The beauty of the QUADRO-SC is that with the fusion mode you are never left in pitch darkness.

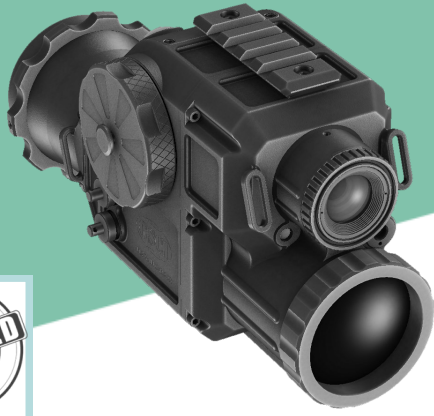
Both channels, complementing each other to produce real-time, no-lag video image and unmatched situation awareness. This is achieved by combining detailed images from the visible/near infrared and long-wave infrared ranges of spectrum. The end result is a superb detection and recognition capability.



MAIN CONFIGURATION



Clip-On Sight



ADVANCED PHOTONICS

FUSION CLIP-ON RIFLE SCOPE QUADRO-SC

OPTICAL PARAMETERS	Optical Magnification	1.4X
	Field of View	17.7°x13.3°
	Focusing Range	0.5m .. Infinity
	Eyeiece	Single
	Diopter Adjustment Range	-6 .. +4
	Eyereief	Min. 50mm
SYSTEM PARAMETERS: CAPABILITIES AND SPECIAL FEATURES	Shot-Initiated FOV Feature (SIF)	Optional: Built-In Adjustable Shock Sensor
	Digital Passive Stadiametric Rangefinder (SRF)	Yes
	Digital Detail Enhancement Feature (DDE)	Yes
	Digital Edge Detection Feature (DED)	Yes
	Wide Dynamic Range Feature (WDR)	Yes
	Stow Safety Feature (SSF)	Yes
	Integrated 9-Axis Absolute Orientation HUD (Heads-Up Display)	Optional: 3-Axis Sensors - Magnetometer, Accelerometer and Gyroscope
	Integrated Compass	Optional
	Pitch / Roll / Azimuth Indications	Optional
	Power Saving Mode	Yes
	Real-Time Date-Time Stamp	Yes: Simplified, Extended, DTG Formats
	Digital Video Recorder with Real-Time Stamp	Optional: Comes with Removable 32GB microSD Card
	Electronic Reticles	Optional: 8+8 Patterns, Easy Zeroing / Calibration
	Detection Capability: Man (1.7x0.5m) / NATO Target (2.3x2.3m)	1660m / 2250m
	Hand-Held Configuration	Yes
	Conversion to Standalone (Direct-View) System	Optional
	Tripod-Mountable	Yes
	User Profiles (Configurable)	Yes: 8
	Automatic/Manual Pixel Masking	Yes
	Reset to Factory Defaults	Yes
External Video Feed Protection	Yes	
Automatic Power Down Control	User-Configurable: 10 .. 60 minutes of inactivity	
THERMAL (LWIR) CHANNEL	FPA Type	Uncooled, a-Si, Shutterless, Silent, Auto-NUC (Uninterrupted Operation)
	FPA Resolution and Pitch	640x480, 17µm
	FPA Sensitivity (NETD)	<40mK
	FPA Refresh Rate	50Hz
	Digital Zoom	1X, 2X, 4X
	Imaging Modes	Monochrome (White-Hot / Black-Hot) and 8 Colour Palettes
DAY/NIGHT (VNIR) CHANNEL	Sensor Type	High-Performance CCD
	Sensor Size	1/3"
	Resolution	800x600
	Sensitivity	Up to 0.1Lux
	Night Boost Mode	Yes
	VNIR Modes	Day/Night

DISPLAY	Internal Display	Full Size: 0.6-Inch Diagonal, AMOLED, Colour, 800x600
	Internal Display Contrast	>10000:1
IMAGE FUSION	Type	Real-time, Electronic
	Fused Channels	LWIR + VNIR
	Parallax Compensation	Electronic, Adjustable
	Heat Signature Opacity Range	User Adjustable: 0% .. 100%
ELECTRONICS, MECHANICAL, ENVIRONMENTAL FEATURES	Accepted Batteries *	4 (Four) AA: Lithium Recommended
	Universal Port	Video-Out, Remote Control and External Power (4VDC .. 15VDC)
	Video Output Signal	CVBS 1Vpp @ 75 Ohm
	Battery Life on 4x AA	Up to 7 Hours
	Environmental Protection	Min. IP67, Nitrogen-Purged Housing
	Dimensions	170x91x70mm
	Weight	750 grams
	Operating Temperature	-40°C .. +50°C
	Storage Temperature	-55°C .. +65°C
	Body Material	Hard-Anodized Aluminum
Warranty	7 Years, Limited	



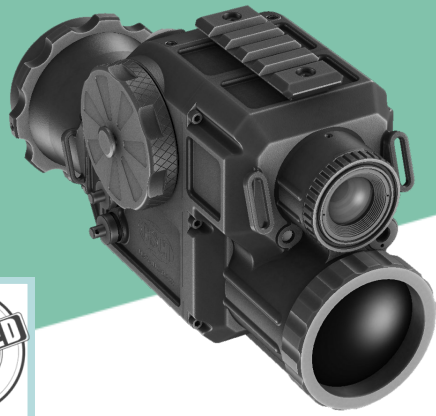
Made In Canada, ITAR-Free

* Batteries not included



DISCLAIMER. Technical description, certain optical-electronic-mechanical features of the product shown herein and/or some of its parts/components may not precisely represent the actual device and are subject to change without prior notice by the sole discretion of General Starlight Co., Inc. Mass of the product represents measurable weight of all components this product consists of, such as optics, mechanics, and electronics. Dimensions of the product, represents measurable size of the body, including all optical components attached and in fully folded position. Dimensions of additions such as mounting brackets, eyecups, objective lens covers, and/or battery extensions may vary and therefore are not listed herein.

Copyright © 1992-2024 General Starlight Co., Inc. Canada. All rights reserved.



ADVANCED PHOTONICS

FUSION CLIP-ON RIFLE SCOPE QUADRO-SC

STANDARD EQUIPMENT: WHAT'S IN THE BOX

1	Fusion Unit
2	Clip-On Adapter with Rubber Guard (<i>Attached</i>)
3	Front Lens Protective Covers (<i>Attached</i>)
4	Hand Strap (<i>for hand-held applications</i>)
5	Neck Cord
6	Quick Swap AA-Battery Containers (<i>4pcs</i>)
7	USB Power Cable
8	Video-Out Cable
9	Soft Carrying Pouch
10	User Manual
11	Waterproof Hard Carrying Case
12	Cleaning Kit (<i>3-in-1 Multi-Pen + Cleaning Cloth</i>)

* Batteries not included

OPTIONAL EQUIPMENT

A	Universal Remote Control Unit TRC-120 (<i>Comes with connection cable</i>)
B	Universal Multi-Voltage Battery Pack MVP-240™ (<i>Comes with connection cable</i>)
C	Built-In Digital Video Recorder GS-DVR-INT (<i>Comes with 32GB microSD card and SD adapter</i>)
D	External Digital Video Recorder GS-EDVR (<i>Comes with set of cables and 32GB SD card</i>)
E	Advanced Multi-Functional Laser Rangefinder Unit QRF-4500™ with MIL-STD 1550nm wavelength
F	MTAR™-HUD Heads Up Display (<i>Streams video directly from the unit; equipped with built-in DVR, GPS and Integrated 9-Axis Absolute Orientation HUD</i>)
G	Portable Head-Mounted Display HMD-800-MOD (<i>streams thermal video directly from the device, comes with connection cable</i>)
H	Integrated 9-Axis Absolute Orientation HUD (Heads-Up Display), 3-Axis Sensors for Compass Reading, Inclinometer/Pitch Reading, and Level/Roll Reading
I	Dual Lever Adjustable Rifle Mount DLM (<i>PICATINNY, with fine-tune knobs for tolerance adjustments</i>)
J	Heavy-Duty Quick Release Rifle Mount MAK-QR-BLASER (<i>Blaser, Adapter included</i>)
K	Heavy-Duty Quick Release Rifle Mount MAK-QR-PICATINNY (<i>PICATINNY, Adapter included</i>)
L	Heavy-Duty Rifle Mount MAK-PICATINNY (<i>PICATINNY, Adapter included, Allen Key Included</i>)
M	Adapter for MAK Mount: Regular Length (ADAPTER-REG) or Extended Length (ADAPTER-EXT)
N	Day Scope Adapter Clamp for COA for direct mounting onto daytime optics, CO-DSA (<i>various sizes available</i>)
O	Direct View Eyepiece LR-EYEPIECE
P	Long Eyereief Rubber Eyecup GSCI-EYECUP-LR
Q	Tactical Infrared Illuminator IR-250S . Kit Includes IR-250S Unit (850nm), Remote Control, Picatinny Mount

DISCLAIMER: Technical description, certain optical-electronic-mechanical features of the product shown herein and/or some of its parts/components may not precisely represent the actual device and are subject to change without prior notice by the sole discretion of General Starlight Co., Inc. Mass of the product represents measurable weight of all components this product consists of, such as optics, mechanics, and electronics. Dimensions of the product represents measurable size of the body, including all optical components attached and in fully folded position. Dimensions of additions such as mounting brackets, eyecups, objective lens covers, and/or battery extensions may vary and therefore are not listed herein. Copyright © 1992-2024 General Starlight Co., Inc. Canada. All rights reserved.