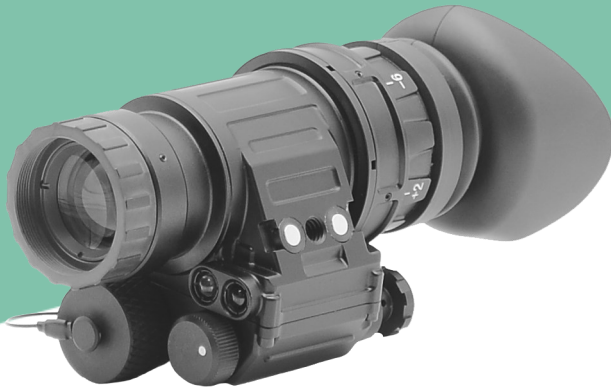




ADVANCED PHOTONICS

TACTICAL NIGHT VISION MONOCULARS

PVS-14CL



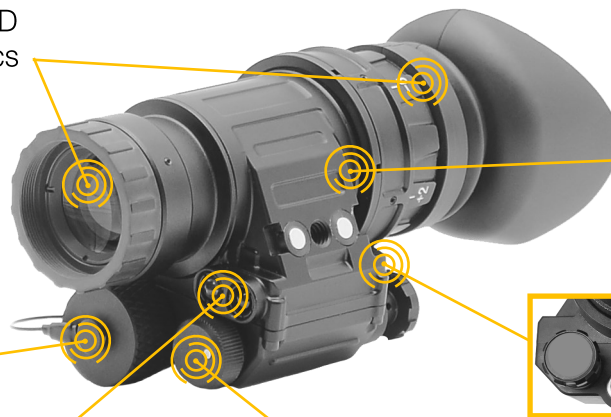
GSCI Advanced Photonics has proudly designed and built the PVS-14CL, an advanced version of the traditional night vision monocular system. It's widely used for various tasks and operations and is the result of our newest technological advancements, feedback from professional users, and 30+ years of GSCI's engineering experience.

The PVS-14CL is an upgraded version of the traditional night vision monocular system. This innovative instrument is widely used for a variety of tasks and operations, being the result of our most recent technological breakthroughs, feedback from expert users, and GSCI's engineering achievements over 30 years. It features proprietary GSCI-VIVID high-performance front and rear optics - the lightest optics available on the market today and offers a crystal-clear image. This monocular system is one of the lightest you can find!

ADVANTAGES OF THE PVS-14CL



Proprietary GSCI-VIVID
Premium-Grade Optics



Powered by 1x AA or
1x CR123 Battery

Stow Safety and
Flip-Up-Off Features

External
Power Port (Optional)

Built-In IR Illuminator and Light Overload Sensor

Manual Gain Control (Optional)

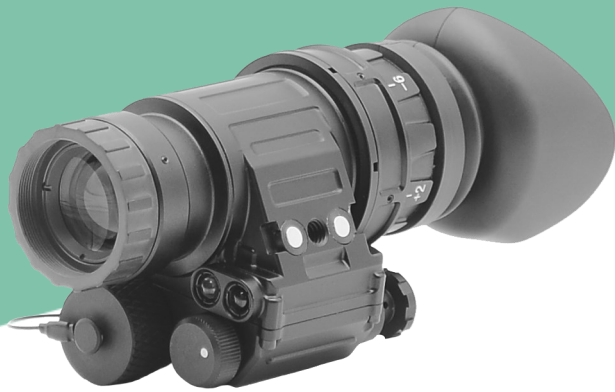
KEY FEATURES

- ◆ Premium-Grade Optics
- ◆ Universal Night Operations Tool
- ◆ Unique Safety Features
- ◆ Multi-Use System Design
- ◆ Accepts External Power Sources
- ◆ Preferred choice of NATO forces



Designed, Developed, Manufactured by GSCI Advanced Photonics
120 WHITMORE ROAD, UNIT 20, WOODBRIDGE, ONTARIO, L4L6A5, CANADA
WWW.GSCI.NET | GSCI@GSCI.NET | +1.905.850.0990

DISCLAIMER. Technical description, certain optical-electronic-mechanical features of the product shown herein and/or some of its parts/components may not precisely represent the actual device and are subject to change without prior notice by the sole discretion of General Starlight Co., Inc. Mass of the product represents measurable weight of all components this product consists of, such as optics, mechanics, and electronics. Dimensions of the product represents measurable size of the body, including all optical components attached and in fully folded position. Dimensions of additions such as mounting brackets, eyecups, objective lens covers, and/or battery extensions may vary and therefore are not listed herein. Copyright © 1992-2024 General Starlight Co., Inc. Canada. All rights reserved.



ADVANCED PHOTONICS

TACTICAL NIGHT VISION MONOCULAR PVS-14CL

TECHNICAL DATA ‡

Proprietary GSCI-VIVID Premium Optics	Yes
Optical Magnification	1X
Objective Lens	27mm, f/1.2
Field Of View **	40°
Focusing Range	0.25m .. Infinity
Diopter Adjustment Range	-6 .. +2
Built-In IR Illuminator	Yes: 950 nm
IR-On Indicator	Yes: concealed into FOV
Manual Gain Control	Yes: Optional
3-Position Switch	Yes: Off / On / IR
Bright Light Protection	Yes
Bright Light Sensor	Built-In
Low Battery Indicator	Yes: concealed into FOV
Stow Safety Feature	Yes
Flip-Up-Off Feature	Yes
Power Source *	1pc AA / 1pc CR123 / MVP-240™
External Power Port	Optional: 4VDC .. 15VDC
Battery Life on 1x AA / 1x CR123	40 Hours
Battery Life on MVP-240™	240 Hours
Environmental Protection	Waterproof
Dimensions	104x62x53mm
Weight **	190 grams
Operating Temperature	-40°C .. +50°C
Made In Canada	ITAR-Free

‡ Specifications are presented for optical-electronic-mechanic assemblies only and do not include technical characteristics of image intensifier tubes.

** Field Of View (FOV) values are valid if the system is equipped with an 18mm Image Intensifier Tube

* Batteries not included

** Weight of the unit excludes an IIT due to its weight variations. Typical weight of an IIT is between 70 and 85 grams as per IIT manufacturers' specifications.

IMAGE INTENSIFIER TUBES



Autogating and White Phosphor options are available with selected tubes. Contact us for more details.



PHOTONIS

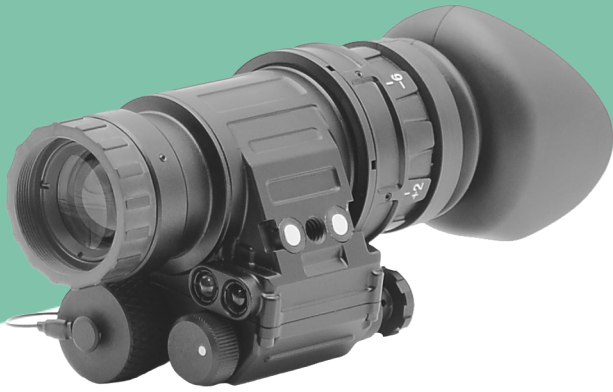
*** ECHO and 4G are the registered trademarks of Photonis Technologies S.A.S.

DISCLAIMER. Technical description, certain optical-electronic-mechanic features of the product shown herein and/or some of its parts/components may not precisely represent the actual device and are subject to change without prior notice by the sole discretion of General Starlight Co., Inc. Mass of the product represents measurable weight of all components this product consists of, such as optics, mechanics, and electronics. Dimensions of the product represents measurable size of the body, including all optical components attached and in fully folded position. Dimensions of additions such as mounting brackets, eyecups, objective lens covers, and/or battery extensions may vary and therefore are not listed herein. Copyright © 1992-2024 General Starlight Co., Inc. Canada. All rights reserved.



ADVANCED PHOTONICS

TACTICAL NIGHT VISION MONOCULAR PVS-14CL

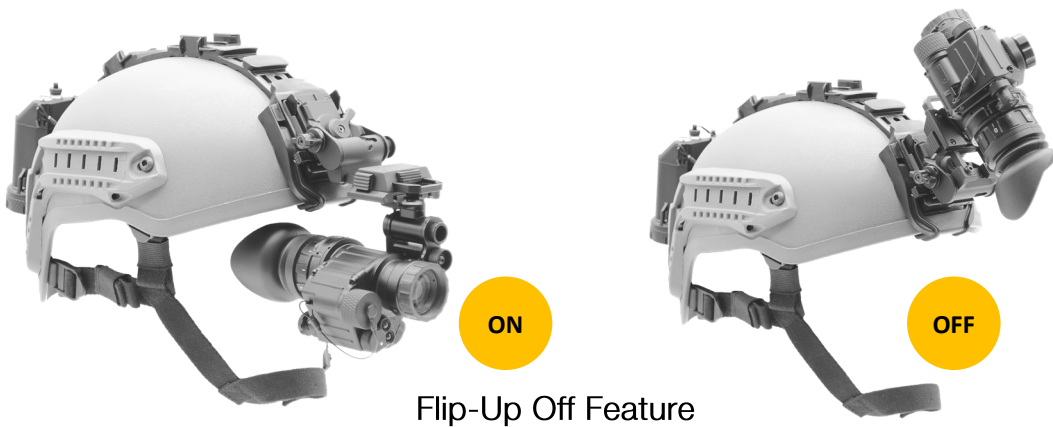


DISTINCTIVE FEATURES



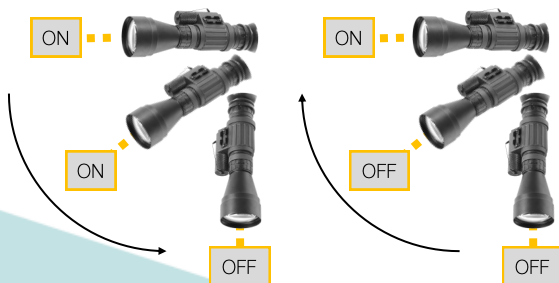
Extended Range Observation

Accepts Afocal Objective Lenses with 3X and 5X Optical Magnification



Flip-Up Off Feature

When Mounted on a Flip-Up Head Gear or a Helmet Mount, PVS-14CL Turns Off Once in Flip-Up Position.



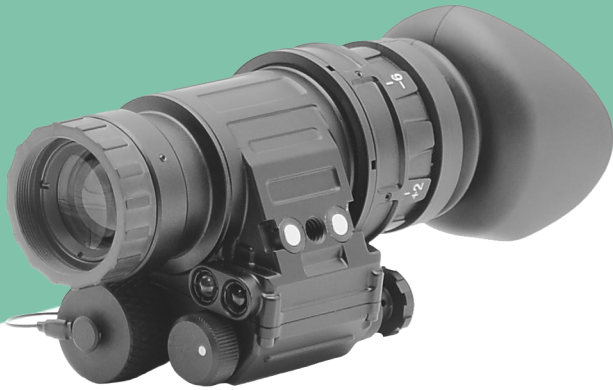
Stow Safety Feature

If Activated, The SSF Feature Shuts Off the Unit once it is Stowed and Powers the Unit Back Up when it is Returned Back to the Horizontal Position. SSF is Used to Stay Covert in Night-Time Operations.



ADVANCED PHOTONICS

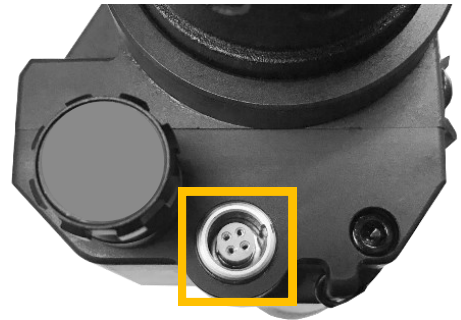
TACTICAL NIGHT VISION MONOCULAR PVS-14CL



DISTINCTIVE FEATURES (Continued)

External Power Port. Model Name: PVS-14CL-MOD

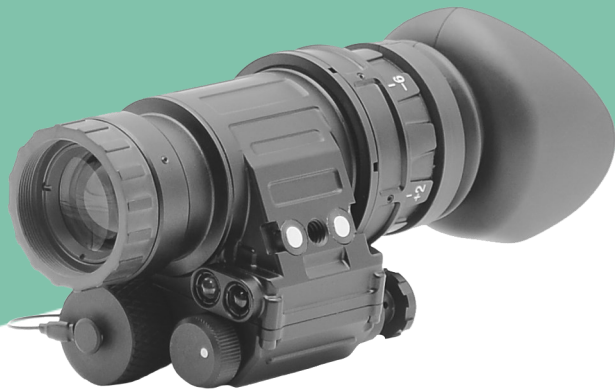
Along with conventional AA and CR123 Batteries PVS-14CL Can be Powered From External Power Sources Such as USB Power Banks, the universal power pack MVP-240 or a 12V Car Power Supply.



4 x AA Batteries

4 x AA Batteries





ADVANCED PHOTONICS

TACTICAL
NIGHT VISION MONOCULAR
PVS-14CL

STANDARD EQUIPMENT: WHAT'S IN THE BOX

1	Night Vision Monocular Equipped with GSCI-VIVID MIL-SPEC Lightweight High-Performance Front and Rear Optics
2	Rubber Eyecup (<i>Installed on the device</i>) with Retaining Ring
3	Demist Shield
4	Sacrificial Window
5	Stow Safety Feature (<i>Integrated</i>)
6	AA Battery Extension Adapter (<i>Installed on the device</i>)
7	Rubber Daytime Filter with Training Hole (<i>Installed on the device</i>)
8	Neck Cord
9	Soft Carrying Pouch
10	User Manual
11	Cleaning Kit (3-in-1 Multi-Pen + Soft Cleaning Cloth)

*Batteries are not included

OPTIONAL EQUIPMENT

A	MTAR™-HUD Multi-Task Heads Up Display with Video Recorder, GPS and 9-Axis Readings
B	J-Arm Adapter Interface
C	Advanced Helmet Mount GR8™
D	Waterproof Hard Case
E	Advanced Helmet Harness HMH-1 for MICH / ACH Helmets
F	Adjustable Dual-Quick Release Weapon Mount DQRM-14
G	3X Magnification Afocal Add-On Objective Lens SL-3: Snap-On or Screw-In
H	5X Magnification Afocal Add-On Objective Lens SL-5: Snap-On or Screw-In
I	Smartphone Camera Adapter CAS-14
J	External Power Port, USB Power Cable included (<i>Model Name: PVS-14CL-MOD</i>)
K	Universal Multi-Voltage Battery Pack MVP-240™ (<i>for models with external power port only</i>)
L	External Digital HD Recorder with Built-In Display and Video Output NVR-714-S
m	Tactical Infrared Illuminator IR-250S. Kit Includes IR-250S (850nm), Remote Control, Picatinny Mount

DISCLAIMER. Technical description, certain optical-electronic-mechanical features of the product shown herein and/or some of its parts/components may not precisely represent the actual device and are subject to change without prior notice by the sole discretion of General Starlight Co., Inc. Mass of the product represents measurable weight of all components this product consists of, such as optics, mechanics, and electronics. Dimensions of the product represents measurable size of the body, including all optical components attached and in fully folded position. Dimensions of additions such as mounting brackets, eyecups, objective lens covers, and/or battery extensions may vary and therefore are not listed herein. Copyright © 1992-2024 General Starlight Co., Inc. Canada. All rights reserved.