

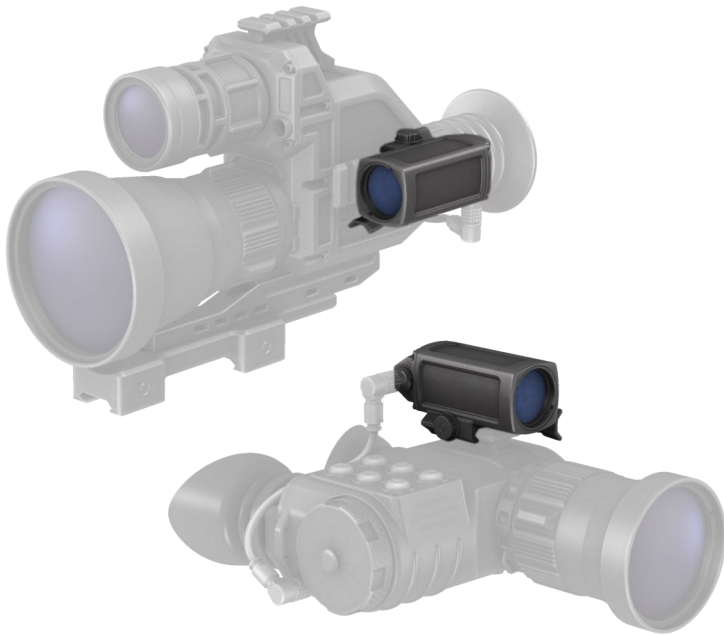


ADVANCED PHOTONICS

Compact Laser Rangefinder Attachment Module CRF-1200A

In the ever-evolving landscape of military and law enforcement operations, precision and efficiency are paramount. Meet the CRF-1200A Compact Laser Rangefinder Attachment, a groundbreaking advancement designed to enhance your primary thermal imaging or fusion device with unrivaled accuracy and convenience.

The CRF-1200A is a game-changing enhancement for military and law enforcement professionals. This compact, lightweight attachment seamlessly integrates with your primary unit, sharing power and adding minimal bulk. With a 905nm wavelength laser, it delivers precise distance data to your primary device, even in challenging conditions. Stay one step ahead with the CRF-1200A, your key to unmatched accuracy and tactical advantage.



KEY FEATURES:

- > Ultra-compact, light weight yet rugged design
- > Power-sharing with primary electro-optical unit
- > Side- or top-mounted positions
- > For hand-held, optics and weapon mountable applications
- > Can be paired with various optical-electronic systems
- > 905nm LRF wavelength
- > 1200m maximum ranging capability
- > Target speed measurement
- > Rapid and continuous (uninterrupted) accurate measurements
- > 3 memory slots for target distance measurements
- > Measures speed, heading direction and track angle
- > Perfect for spotters, snipers, precision shooters
- > Strong aluminum-alloy housing
- > Mounts on STANAG 4694 Picatinny rail / Weaver rails

APPLICATIONS:

Military Operations: Whether conducting reconnaissance, target acquisition, or precision shooting, the CRF-1200A empowers military personnel with the tools needed to achieve mission success.

Law Enforcement: LE agencies can benefit from the CRF-1200A during surveillance, search and rescue, and specialized operations, enhancing their ability to respond effectively and protect communities.



Designed, Developed, Manufactured by GSCI Advanced Photonics
120 WHITMORE ROAD, UNIT 20, WOODBRIDGE, ONTARIO, L4L6A5, CANADA
WWW.GSCI.NET | GSCI@GSCI.NET | +1.905.850.0990

DISCLAIMER. Technical description, certain optical-electronic-mechanical features of the product shown herein and/or some of its parts/components may not precisely represent the actual device and are subject to change without prior notice by the sole discretion of General Starlight Co., Inc. Mass of the product represents measurable weight of all components this product consists of, such as optics, mechanics, and electronics. Dimensions of the product represents measurable size of the body, including all optical components attached and in fully folded position. Dimensions of additions such as mounting brackets, eyecups, objective lens covers, and/or battery extensions may vary and therefore are not listed herein. Copyright © 1992-2024 General Starlight Co., Inc. Canada. All rights reserved.



ADVANCED PHOTONICS

Compact Laser Rangefinder Attachment Module CRF-1200A

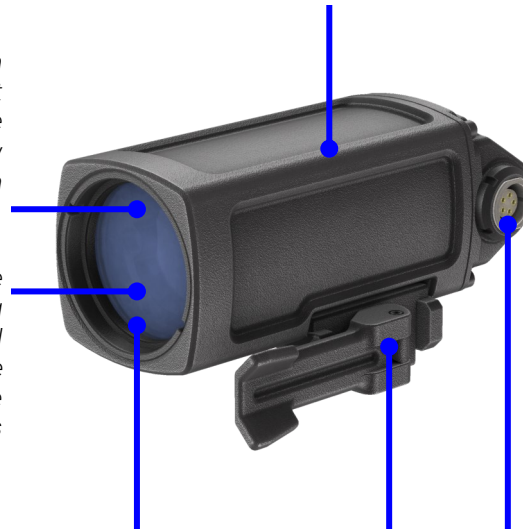


Ultra-Compact Design: The CRF-1200A is engineered with utmost precision, resulting in a form factor that defies industry standards. Its lightweight and rugged enclosure seamlessly integrates with your primary device, adding minimal bulk and maximizing portability.

Supreme Optical Clarity: Equipped with a 905nm wavelength laser, this rangefinder attachment ensures crystal-clear target acquisition in a wide range of environmental conditions, including low-light, smoke, and haze, allowing you to maintain the upper hand in every situation.

Distance to Target: Instantly acquire precise distance measurements to your target, providing you with critical data to make informed decisions. The CRF-1200A's cutting-edge technology ensures accuracy down to the smallest details, enabling you to assess threats and situations with unmatched confidence.

Speed Measurement: Beyond distance, this rangefinder attachment provides real-time speed data, enabling you to track and anticipate target movements. This invaluable information enhances your situational awareness and tactical advantage, ensuring that you stay one step ahead.



Seamless Integration: Effortlessly attach the CRF-1200A to your thermal imager or fusion device, transforming it into a multifunctional powerhouse. No additional power sources are required, as this attachment draws power directly from your primary device, eliminating the need for extra batteries and streamlining your equipment loadout.





ADVANCED PHOTONICS

Compact Laser Rangefinder Attachment Module CRF-1200A

TECHNICAL SPECIFICATIONS

Ranging Capability	3m .. 1200m
Minimum Measuring Time	0.4s
Distance-To-Target Precision	Less than 1m
Distance Units	User-Selectable: Meters or Yards
Compass	High Accuracy Magnetic and Gyro-Compass
Laser Safety Class	Class 1 (Eye Safe)
Wavelength	Eye Safe 905nm
Performance to NATO Target (2.3x2.3m)	530m (30% Reflectivity)
Power Source	Shared with Primary Unit
Max. Dimensions	74 x 42 x 39 mm
Weight	110 grams
Mounting Interface	STANAG 4694 Picatinny Rail / Weaver Rail
Environmental Protection	IP67
Operating Temperature	-40°C .. +50°C
Storage Temperature	-50°C .. +60°C
Warranty	7 Years
Export	Available Worldwide

STANDARD EQUIPMENT: WHAT'S IN THE BOX

1	CRF-1200A Unit
2	Connection Cable
3	Cleaning Kit (3-in-1 Multi-Pen + Cleaning Cloth)
4	Soft Carrying Pouch
5	Hard Carrying Case
6	User Manual



Designed, Developed, Manufactured by GSCI Advanced Photonics
 120 WHITMORE ROAD, UNIT 20, WOODBRIDGE, ONTARIO, L4L6A5, CANADA
 WWW.GSCI.NET | GSCI@GSCI.NET | +1.905.850.0990

DISCLAIMER. Technical description, certain optical-electronic-mechanical features of the product shown herein and/or some of its parts/components may not precisely represent the actual device and are subject to change without prior notice by the sole discretion of General Starlight Co., Inc. Mass of the product represents measurable weight of all components this product consists of, such as optics, mechanics, and electronics. Dimensions of the product represents measurable size of the body, including all optical components attached and in fully folded position. Dimensions of additions such as mounting brackets, eyecups, objective lens covers, and/or battery extensions may vary and therefore are not listed herein. Copyright © 1992-2024 General Starlight Co., Inc. Canada. All rights reserved.